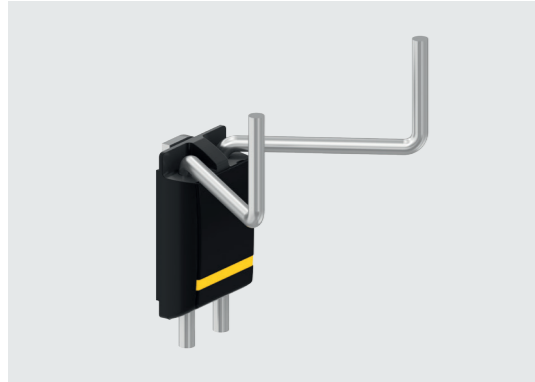


Universal support, flexible



Side guides, sensors, reflectors and other add-on components, such as scanners, are attached to the flexible universal support. Flexible universal supports are attached laterally to the profile. Each of these holders can accommodate two flexible universal support brackets.

Designation	Dimensions	Reference number
Universal support, flexible	200 mm (55 mm above T.O.R.) 7.87" (2.16" above T.O.R.)	63010032

Side guide



Side guides are used for reliably guiding the product on roller conveyors and belt conveyors, as well as on the corresponding components. In particular, because of the flexible material (polymer), the guides can be adjusted to the material flow in curves, as well as when merging and diverting.

Designation	Dimensions	Reference number
Side guide	40 x 15 x 2000 mm (1.5" x 0.6" x 78.7")	63010049

Side guide holder



The side guide profile is attached to the universal support with the side guide holder.

Designation	Dimensions	Reference number
Side guide holder	46 x 28 x 22 mm (1.8" x 1.1" x 0.8")	63010248

Side guide connector



Side guides are connected to each other at the transition of two modules with the side guide connector.

Designation	Dimensions	Reference number
Side guide connector	70 x 28 mm (2.75" x 1.1")	63010050