

BM 8360

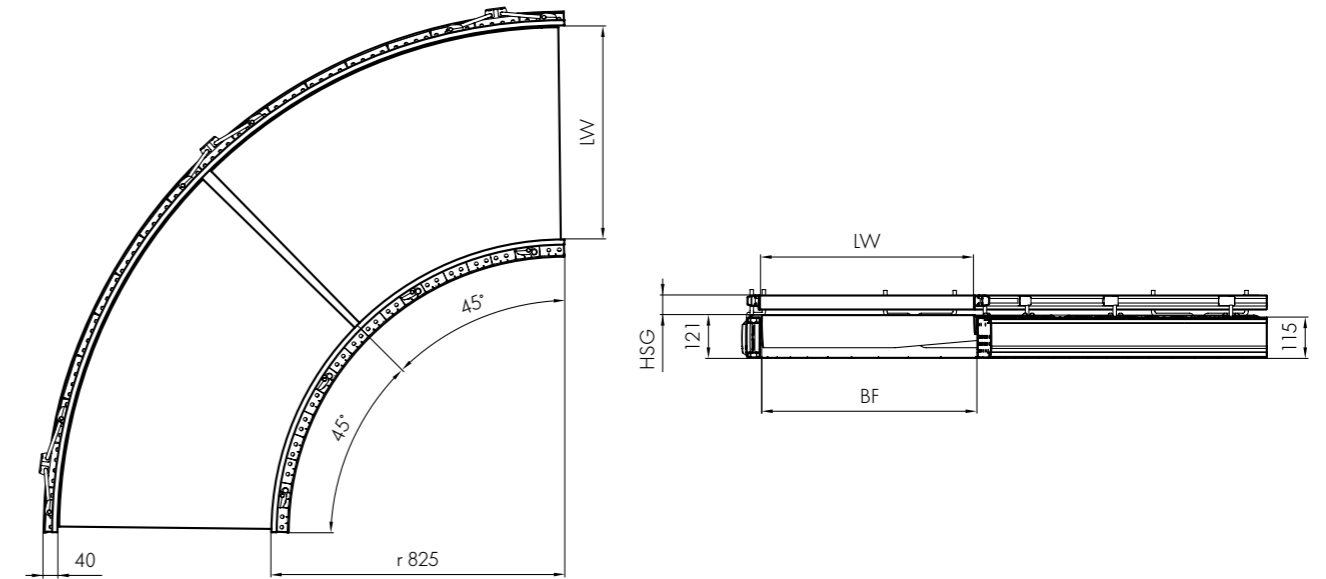
Interroll Belt Conveyor

Curve

24 V powered



Dimensions



BF	Between frames	420, 620 mm (16.5", 24.4" nom.) others on request
LW	Lane width	BF (+120/-90 with flexible side guide)
α	Angle	1 x 45°/90° (2 x 45°)
TW	Module width	BF + 80 mm (3.15")
HSG	Height side guide	35 - 65 mm (1.38" - 2.56")

Product Description

The Belt Curve Light is a belt curve that is divided into zones and operates with zero pressure accumulation; its drive is based on the 24 V RollerDrive. It is possible to transport and store small products, as well as products not suitable for roller tracks. Not suitable for reversing operation.

Technical data

General technical data	Max. load capacity per zone*	20 kg (45 lbs)
	Conveyor speed*	Max. 0.5 m/s (100 ft/m)
	Incline/decline	Not suitable
	Ambient temperature	+5 to +40 °C (40 to 105 °F)
Drive	Rated voltage	24 V
	Motor type	Interroll RollerDrive EC310
	Number of zones (N)	1 at 45° 2 at 90°
	Control	MultiControl
Material	Conveyor belt	Polyester with PVC coating
	Slider bed	Rollers, Interroll Series 1700

* The combination of maximum values is not always possible.

Scope of supply

- Module is completely assembled and prewired
- Supply incl. 1 sensor per zone
- Please order support stands and end caps separately